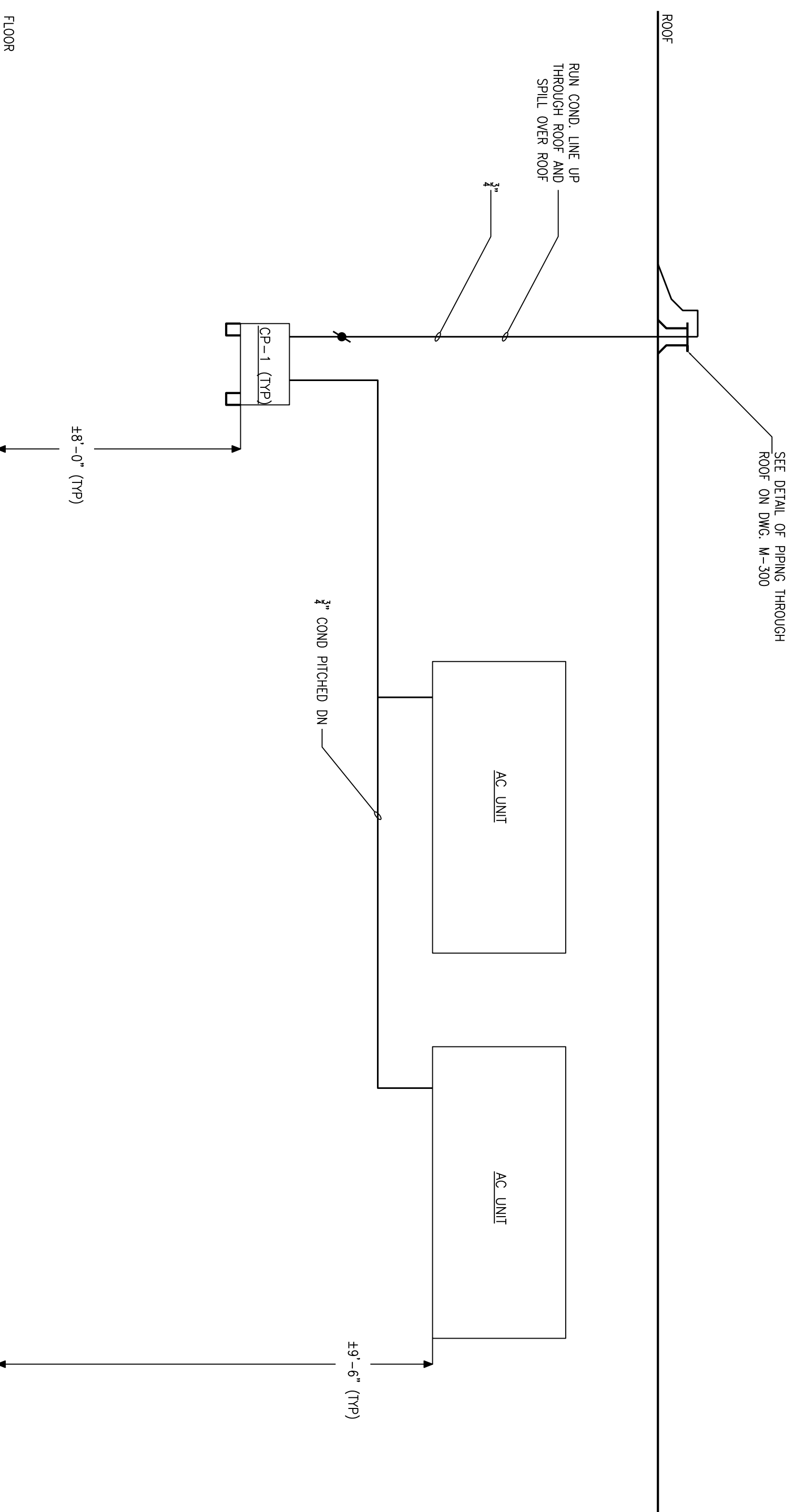


- NOTES:
1. COORDINATE DIMENSIONS OF DRAIN PAN WITH THE ARRANGEMENT AND INSTALLATION REQUIREMENT OF THE AC UNIT.
 2. SUPPORT AC UNIT AND AUXILIARY DRAIN PAN INDEPENDENTLY FROM STRUCTURE OVERHEAD.
 3. PROVIDE 3/4" PLUGGED DRAIN.
 4. PROVIDE AUXILIARY DRAIN PAN OVERFLOW LEVEL SWITCH. SEE INDOOR A/C VRF PAN COIL UNIT SCHEDULE FOR AUXILIARY DRAIN PAN LEVEL CUT OFF SWITCH.

DETAIL OF AUXILIARY DRAIN PAN FOR AC-1A AND AC-2A UNITS

NOT TO SCALE



CONDENSATE PIPING DETAIL DIMMER ROOMS B & C

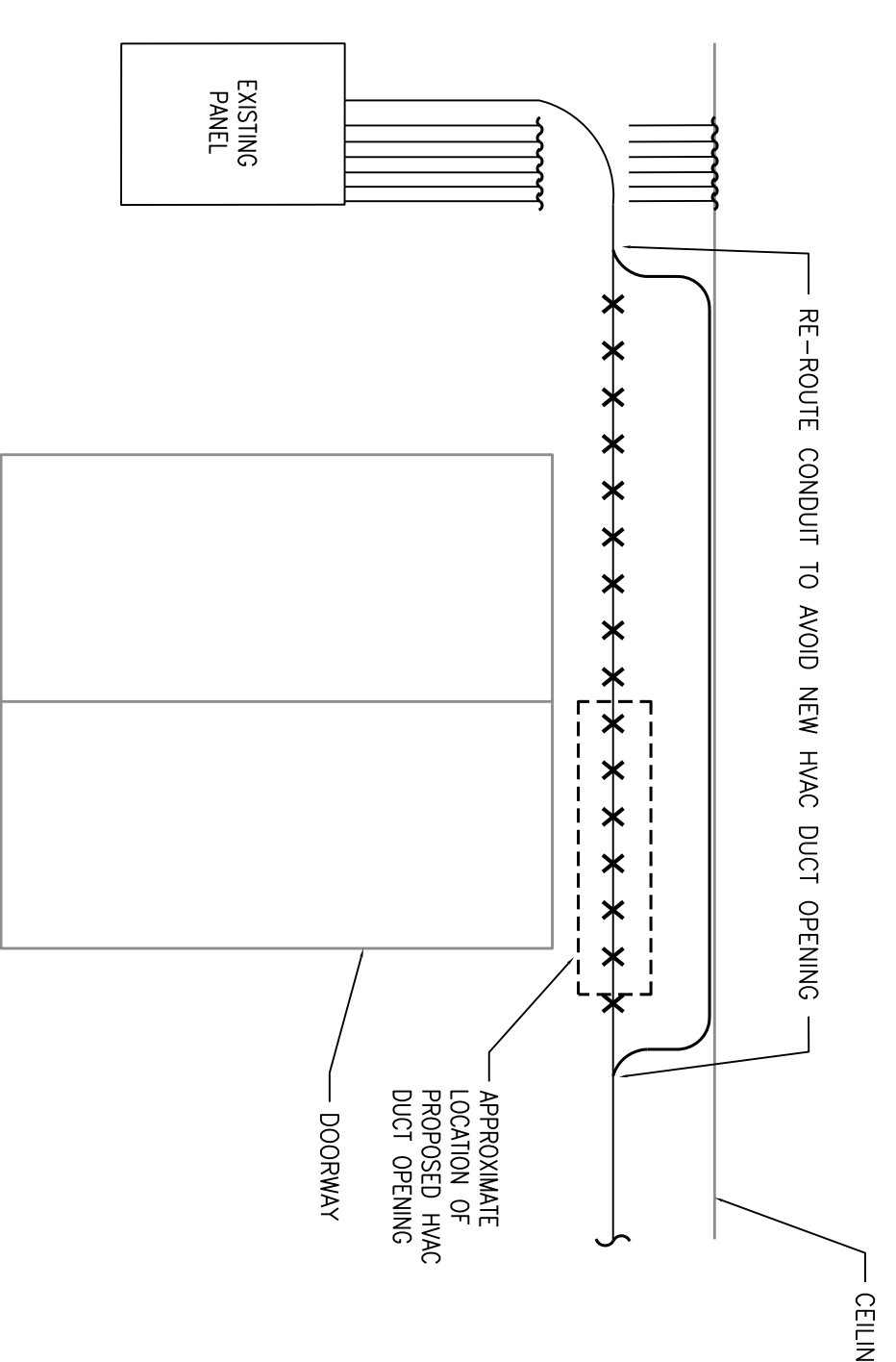
NOT TO SCALE

PANEL NO. <u>PP-A</u> SECTION <u>W</u> 4 G 1		EXISTING PANEL		REV. DATE	
VOLTS <u>120/208</u> PH <u>3</u> BUS <u>100A</u> MIN. INTERRUPTING RATING <u>65,000A</u> SWM		RECESSED SURFACE MOUNTED		CHAM LUG ONLY CHAM CB REED THRU LUG	
CKT NO. (AMPS)	TRIP DESCRIPTION OF LOAD	LOAD (AMPS)	PER PHASE AMPS (A B C)	LOAD (AMPS)	TRIP CKT NO.
1	AC-1A	0	0	0	2
3	2#12+1#12G IN 3/4\"/>				

PANEL NO. <u>PP-B</u> SECTION <u>W</u> 4 G 1		EXISTING PANEL		REV. DATE	
VOLTS <u>120/208</u> PH <u>3</u> BUS <u>100A</u> MIN. INTERRUPTING RATING <u>65,000A</u> SWM		RECESSED SURFACE MOUNTED		CHAM LUG ONLY CHAM CB REED THRU LUG	
CKT NO. (AMPS)	TRIP DESCRIPTION OF LOAD	LOAD (AMPS)	PER PHASE AMPS (A B C)	LOAD (AMPS)	TRIP CKT NO.
1	AC-1B	0	0	0	2
3	2#12+1#12G IN 3/4\"/>				

PANEL NO. <u>PP-C</u> SECTION <u>W</u> 4 G 1		EXISTING PANEL		REV. DATE	
VOLTS <u>120/208</u> PH <u>3</u> BUS <u>100A</u> MIN. INTERRUPTING RATING <u>65,000A</u> SWM		RECESSED SURFACE MOUNTED		CHAM LUG ONLY CHAM CB REED THRU LUG	
CKT NO. (AMPS)	TRIP DESCRIPTION OF LOAD	LOAD (AMPS)	PER PHASE AMPS (A B C)	LOAD (AMPS)	TRIP CKT NO.
1	AC-1C	0	0	0	2
3	2#12+1#12G IN 3/4\"/>				

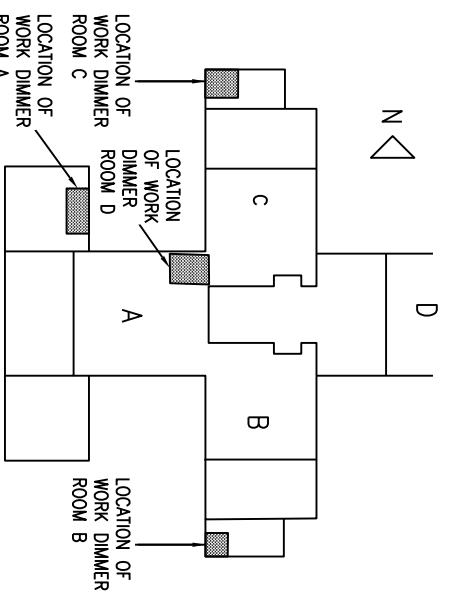
PANEL NO. <u>PP-D</u> SECTION <u>W</u> 4 G 1		EXISTING PANEL		REV. DATE	
VOLTS <u>120/208</u> PH <u>3</u> BUS <u>100A</u> MIN. INTERRUPTING RATING <u>65,000A</u> SWM		RECESSED SURFACE MOUNTED		CHAM LUG ONLY CHAM CB REED THRU LUG	
CKT NO. (AMPS)	TRIP DESCRIPTION OF LOAD	LOAD (AMPS)	PER PHASE AMPS (A B C)	LOAD (AMPS)	TRIP CKT NO.
1	AC-1D	0	0	0	2
3	2#12+1#12G IN 3/4\"/>				



ELEVATION AA CONDUIT RE-ROUTING DETAIL

NOT TO SCALE

Rev.	Issued/Revised	Date
	ISSUED FOR CLIENT APPROVAL	09/03/14
	ISSUED FOR BID	11/10/14



ENGINEERING
Colrado
 2 Holland Avenue
 White Plains, NY 10603
 (914) 332-7658

WARNING: IT IS A VIOLATION OF THE NYS EDUCATION LAW ARTICLE 145 FOR ANY PERSON, UNLESS HE IS ACTING UNDER THE DIRECTION OF A LICENSED PROFESSIONAL ENGINEER, TO ALTER THIS DRAWING IN ANY WAY.

Chief of Agent
State University of New York College at Purchase

Purchase, New York
 SUNY PURCHASE DIMMER ROOMS

Mechanical and Electrical Details
 SHEET 2 OF 2

Scale AS NOTED
 Date 7/30/2014
 Drawing No. ME-301.00

Checked
 Copyright © 2003 by Colrado Engineering, P.C.