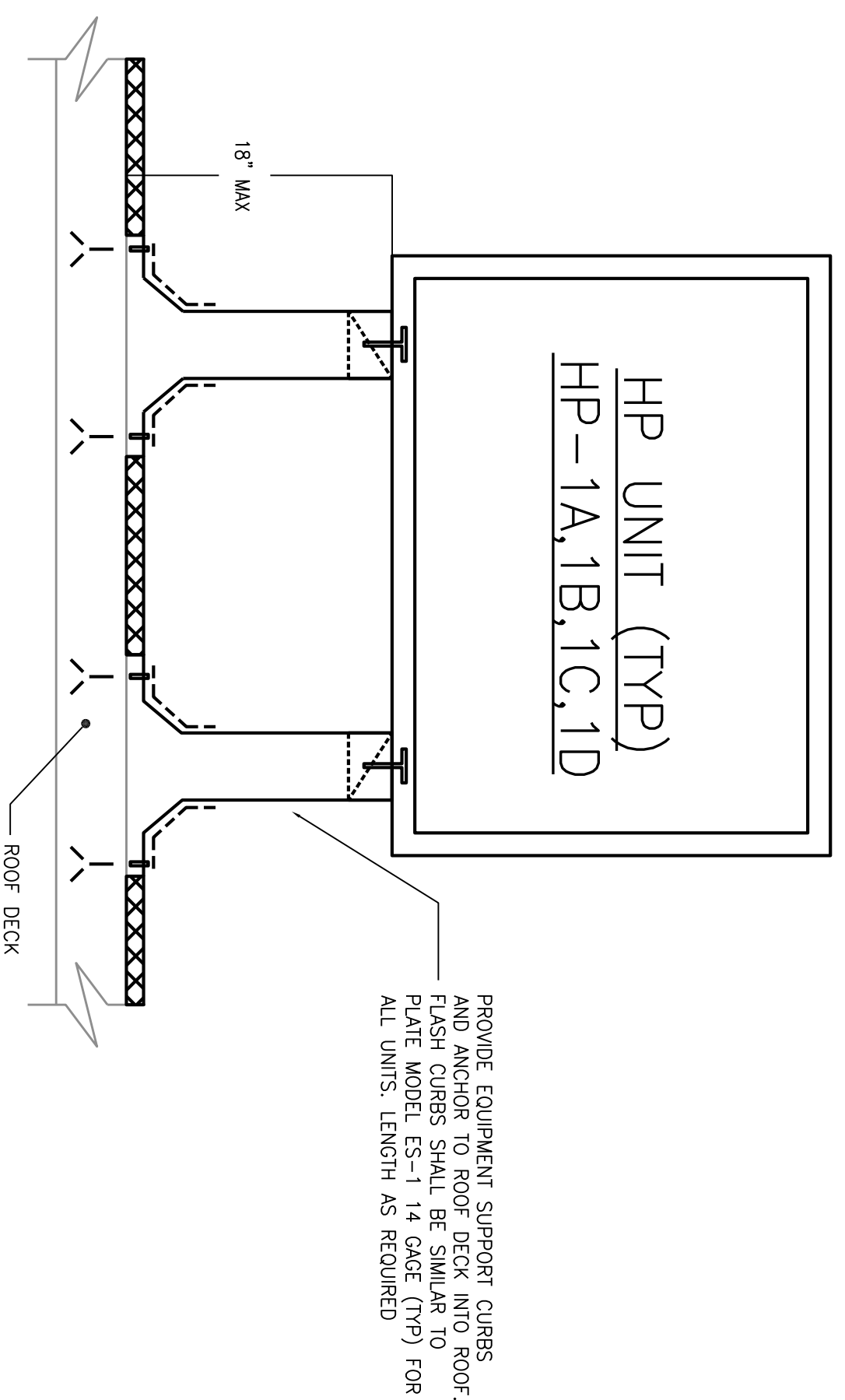
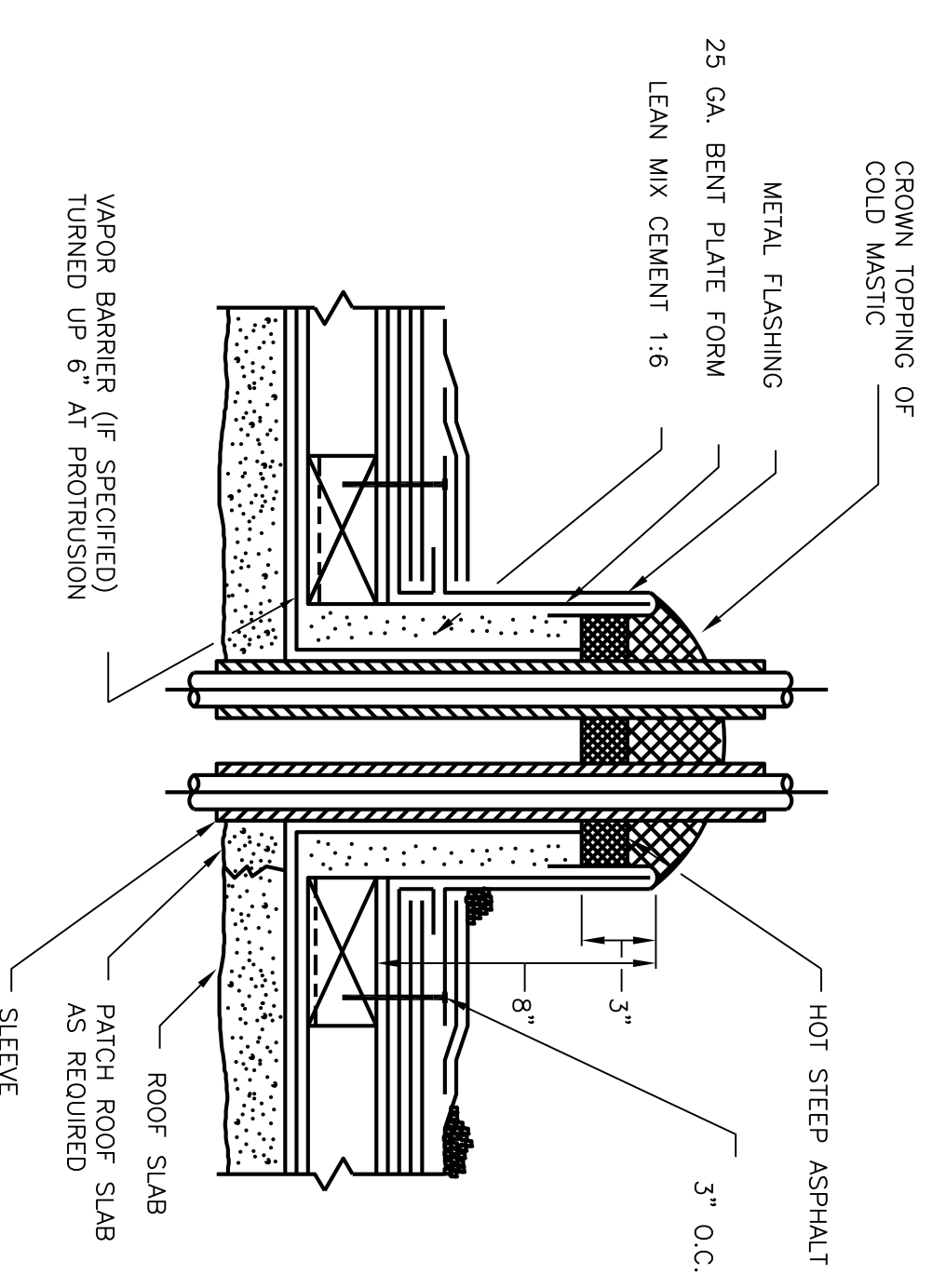


Rev.	Issued/Revised	Date
	ISSUED FOR CLIENT APPROVAL	09/03/14
	ISSUED FOR BID	11/10/14

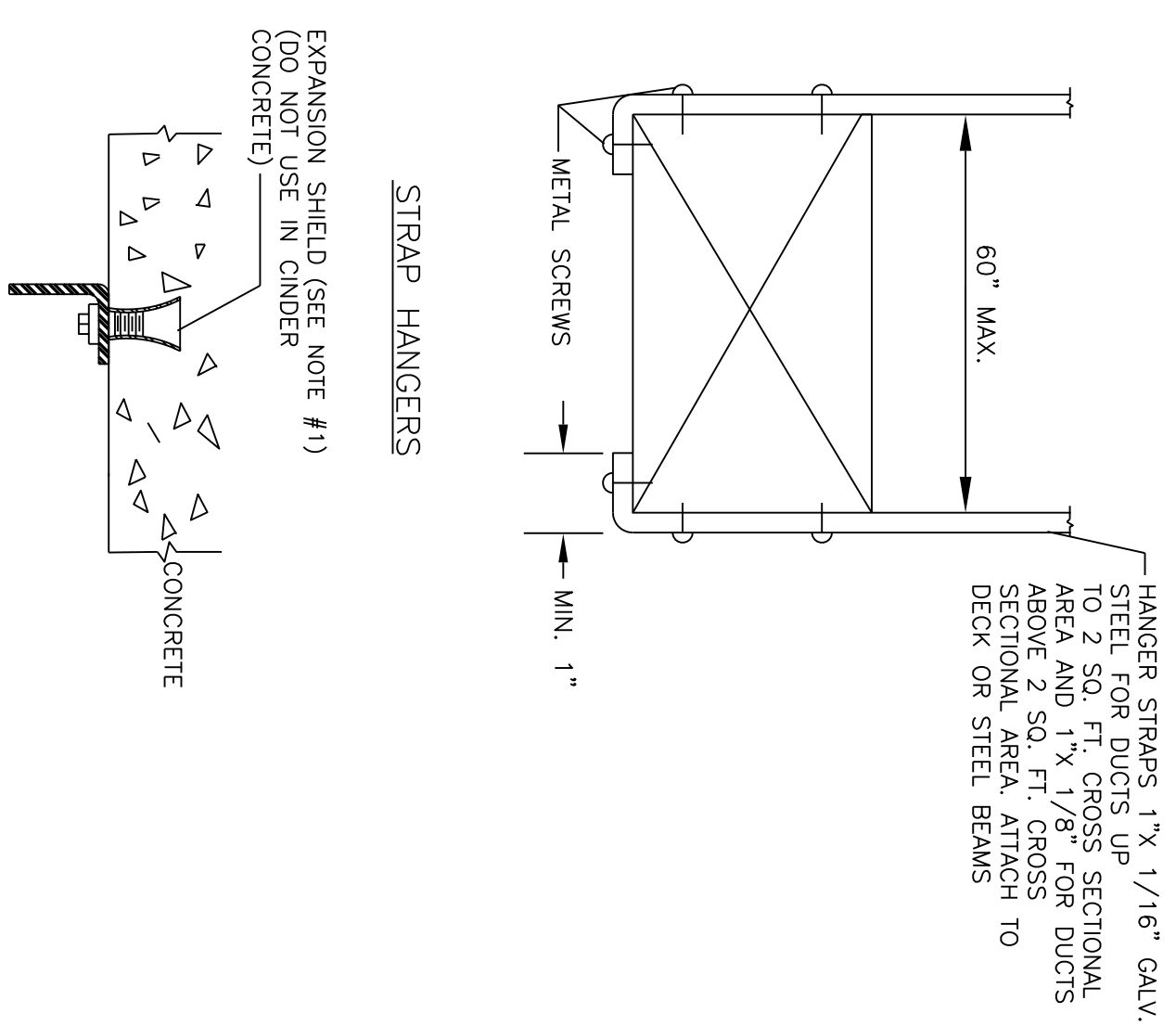


PROVIDE EQUIPMENT SUPPORT CURBS AND ANCHOR TO ROOF DECK INTO ROOF-FLASH CURBS SHALL BE SIMILAR TO PLATE MODEL ES-14 CASE (TYP) FOR ALL UNITS. LENGTH AS REQUIRED

EQUIPMENT SUPPORT DETAIL  
NOT TO SCALE



DETAIL OF PIPING THROUGH ROOF  
NOT TO SCALE

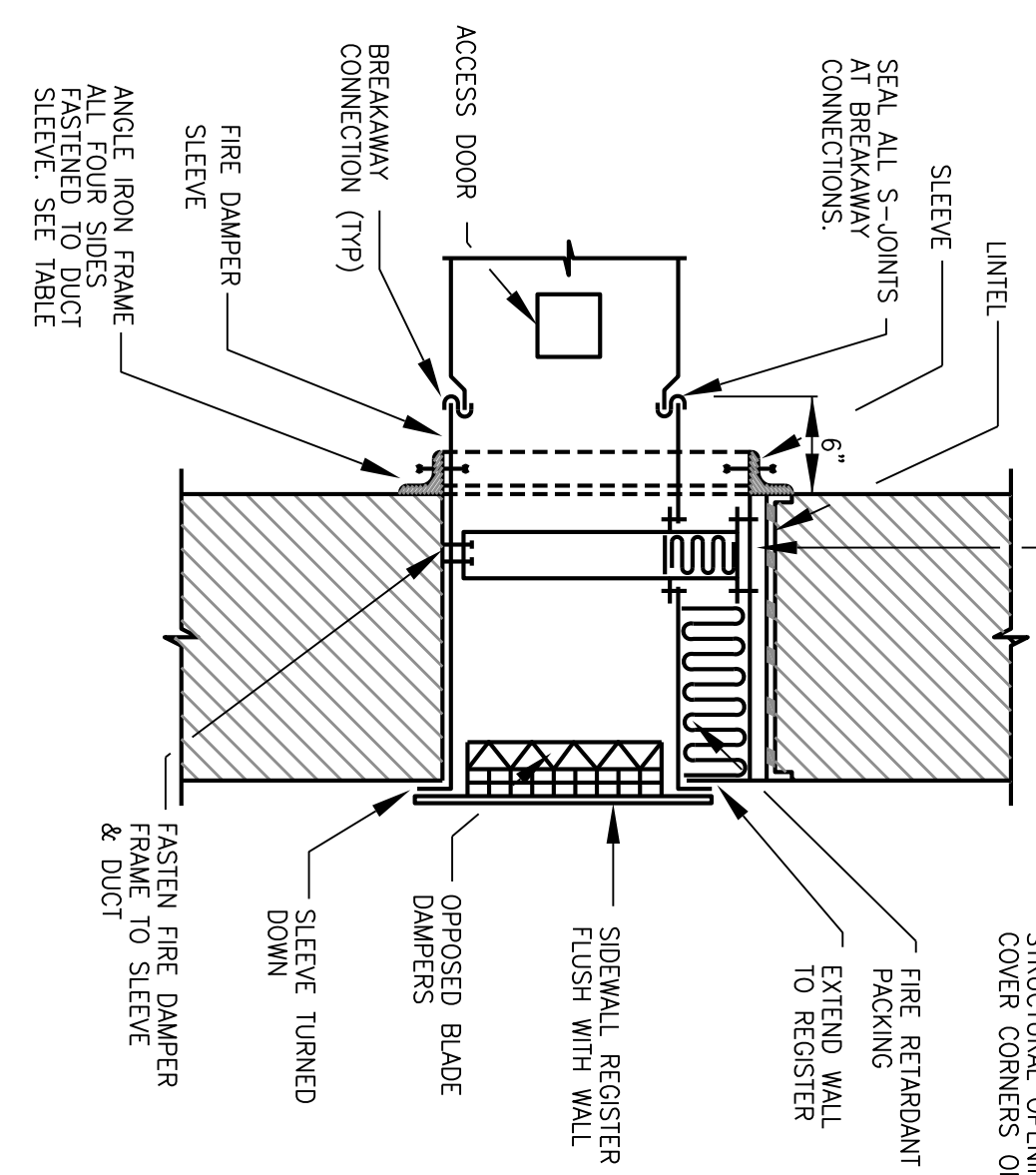


DUCTWORK SUPPORT DETAILS  
(CONCRETE AND METAL DECK)  
NOT TO SCALE

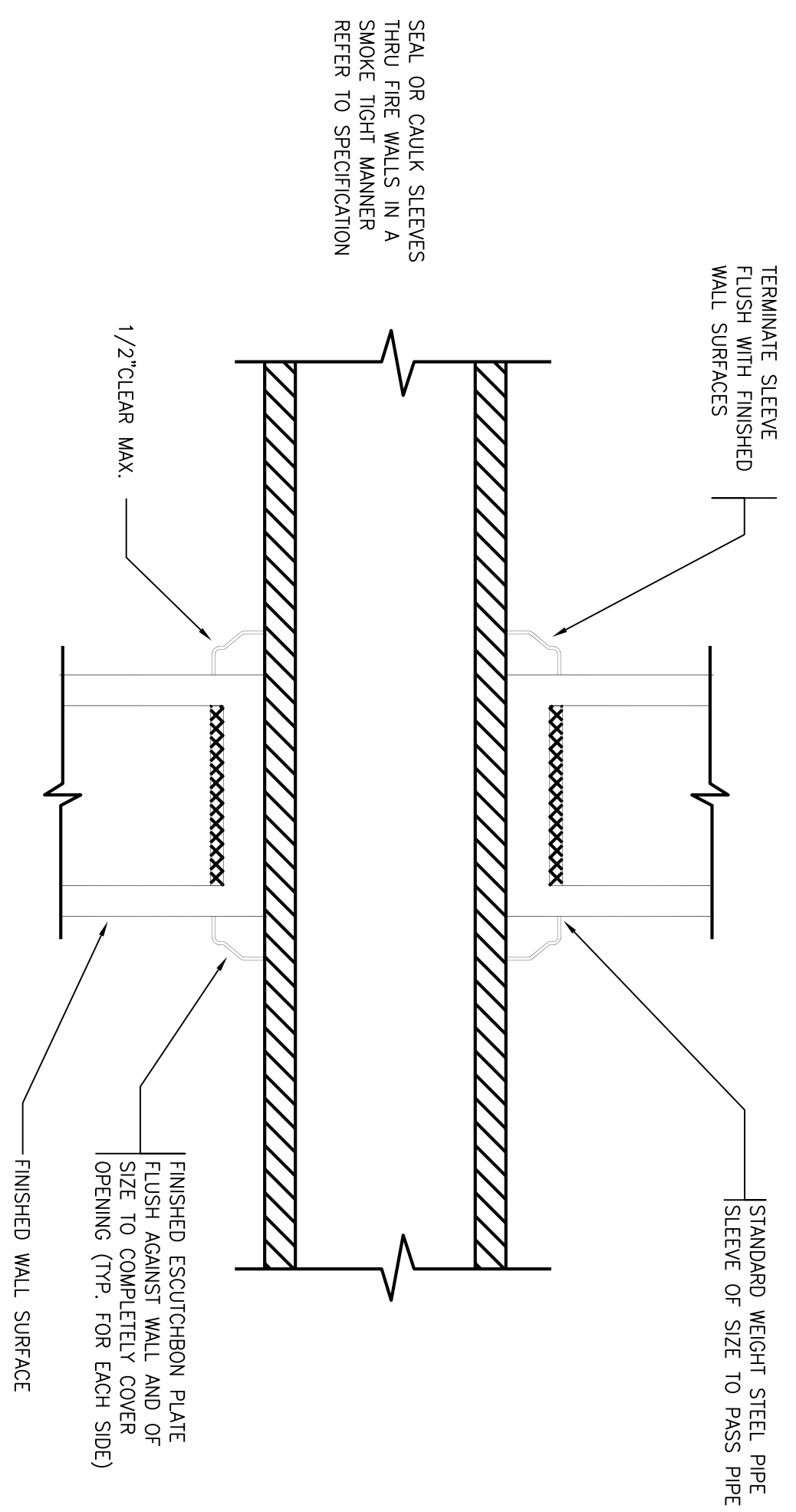
WALL OPENING	ANGLE SIZE	ANGLE TABLE
UP TO 54"	1 1/2"x1 1/2"x1/8"	
55" TO 84"	3"x2"x 3/16"	
85" TO 120"	3"x2"x 3/16"	

PROVIDE CLEARANCE FOR DAMPER EXPANSION ON BOTH SIDES & TOP. INSTALL DAMPER PER MANUFACTURERS RECOMMENDATIONS

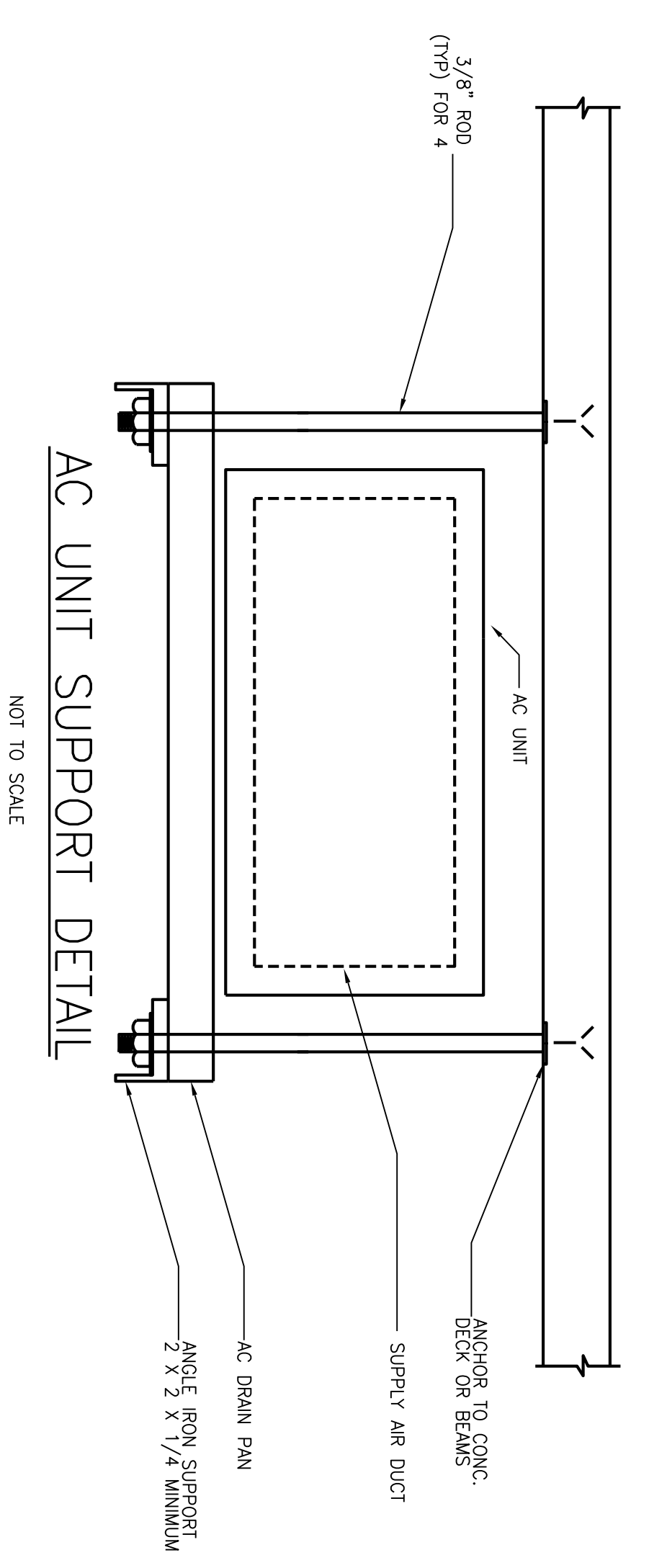
NOTE: REMAINING ANGLES MUST LAP STRUCTURAL OPENING 1" MIN. AND COVER CORNERS OF OPENINGS



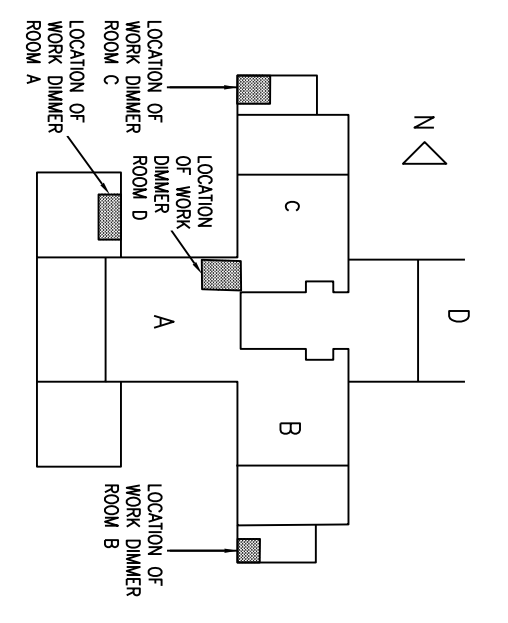
SIDEWALL REGISTER  
FIRE DAMPER DETAIL  
NOT TO SCALE



TYPICAL DETAIL OF  
PIPE THRU RATED WALL  
NOT TO SCALE



AC UNIT SUPPORT DETAIL  
NOT TO SCALE



WARNING: IT IS A VIOLATION OF THE NYS EDUCATION LAW ARTICLE 145 FOR ANY PERSON, UNLESS HE IS ACTING UNDER THE DIRECTION OF A LICENSED PROFESSIONAL ENGINEER, TO ALTER THIS DRAWING IN ANY WAY.

**Colgado ENGINEERING**  
2 Holland Avenue  
White Plains, NY 10603  
(914) 332-7658

Client or Agent  
**State University of New York College at Purchase**

Project Title  
**Purchase, New York**

Drawing Title  
**MECHANICAL DETAILS SHEET 1 OF 2**

Scale AS NOTED  
Date 7/30/2014  
Drawing No. **M-300.00**

Checked  
C.E. Job No.  
Copyright © 2003 by Colgado Engineering, P.C.