

NOTE:

PATCHBAYS SHOWN HERE ARE PROVIDED BY "AV EXTENDED INFRASTRUCTURE". TERMINATION OF FIELD CABLES TO THESE PATCHBAYS IS ALSO BY "AV EXTENDED INFRASTRUCTURE". TERMINATIONS TO THESE PATCHBAYS FROM RACK-MOUNTED EQUIPMENT SHALL BE BY "GROUP III AV SYSTEMS" CONTRACTOR. ALL DESIGNATION-STRIP NOMENCLATURE LABELING SHALL BE BY "GROUP III AV SYSTEMS" CONTRACTOR. AV INFRASTRUCTURE CONTRACTOR SHALL ADVISE AS TO CAMPUS LAN PORT/CIRCUIT NUMBERS FOR THIS PURPOSE.

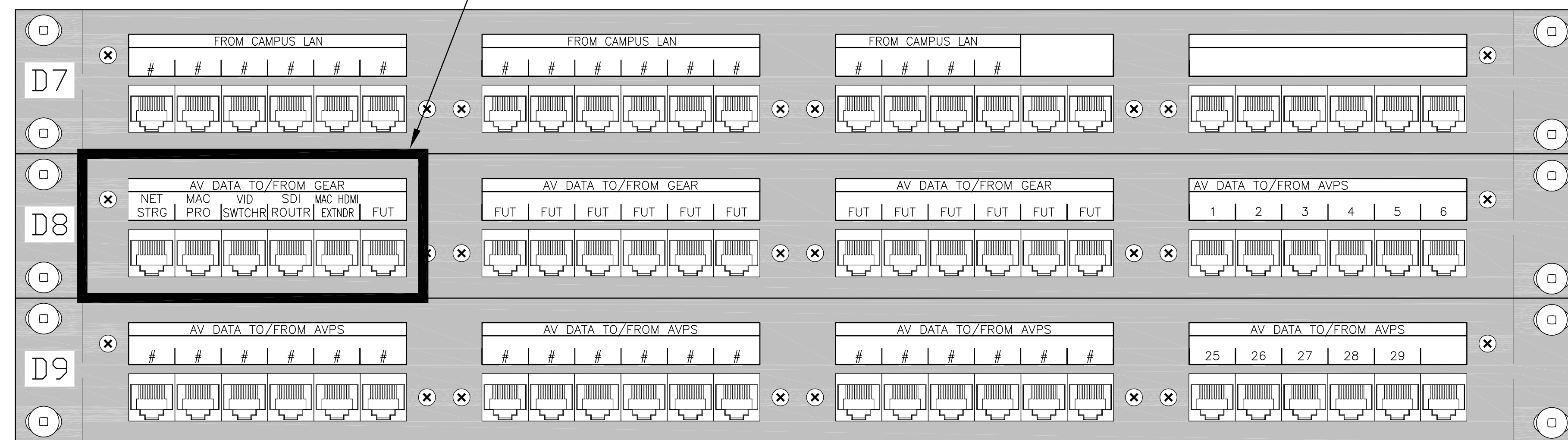
AV INFRASTRUCTURE CONTRACTOR SHALL SUBMIT DEVELOPED PATCHBAY ELEVATIONS BASED ON THE LAYOUTS, LANGUAGE AND GRAPHIC APPEARANCE PROVIDED HERE. THE DEGREE OF COMPLETENESS IN THE LAYOUTS OF THE PATCHBAYS SHOWN HERE IS ACCORDING TO THE COMPLEXITY PERCEIVED BY THE DESIGN CONSULTANT AS REQUIRING DETAIL. PATCHBAYS NOT DETAILED HERE ARE PERCEIVED AS BEING LESS COMPLEX AND, THEREFORE, THEIR LAYOUTS, NOMENCLATURE AND GRAPHICS ARE LEFT FOR THE CONTRACTOR TO DESIGN IN PART OR IN THEIR ENTIRETY FOR APPROVAL. LIKEWISE, ROTE NUMBERING INDICATED BY "#" SYMBOLS SHALL BE COMPLETED BY THE CONTRACTOR AND INCLUDED WITH SUBMITTALS. THE AUTOCAD DRAWING FILE OF THESE PATCHBAYS WILL BE PROVIDED TO THE CONTRACTOR FOR THEIR USE.

AS PART OF COMPLETING THE PATCHBAY DESIGN DETAILS PROVIDED HERE, CONTRACTOR SHALL VERIFY THE ACCURACY OF CONNECTIONS, CIRCUIT NUMBERING, LINE COUNTS, DESTINATIONS, ET CETERA.

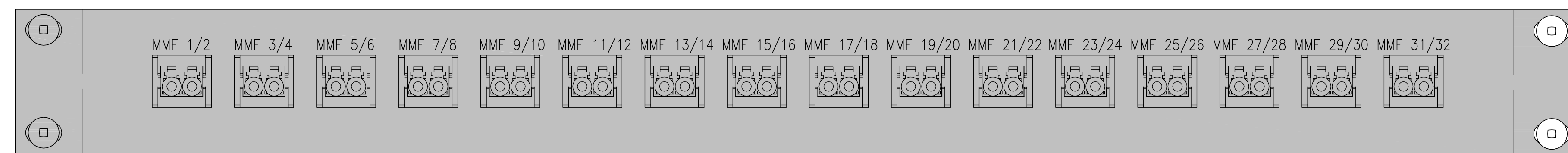
PATCHBAYS BY "AV EXTENDED INFRASTRUCTURE" AS DESCRIBED ABOVE AND AS SHOWN IN AV SYSTEM DIAGRAMS

NOTE:
THIS AREA WIRED
BY AV SYSTEMS
INTEGRATOR. ALL
REST BY AVXI
(BUL. 74)
CONTRACTOR

(PROVIDE CORRECT NOMENCLATURE BASED ON THIS GUIDELINE AND FRAMEWORK)

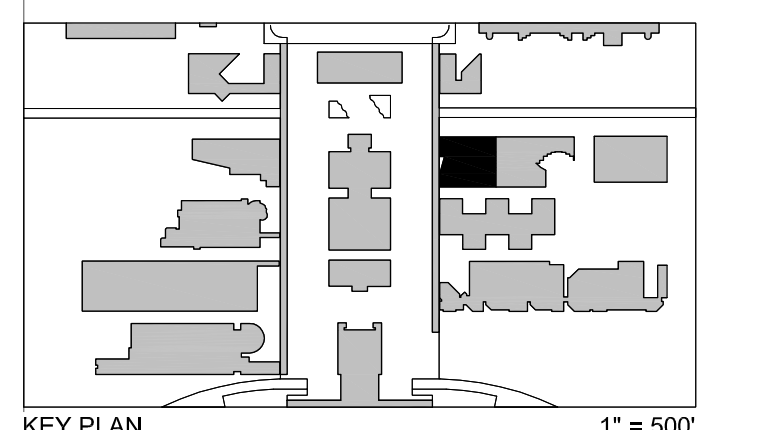


CAT6 CAMPUS LAN AND AV DATA PATCHBAYS
TV STUDIO – CONTROL BOOTH



MULTIMODE FIBER PATCHBAY
TV STUDIO – CONTROL BOOTH

- 9/18/2014 AV MISC. CHANGES
- GROUP III 9/22/2014 AV ELECTRONICS SYSTEMS ISSUED FOR BID**
- BUL. #74 7/18/2014 AV EXTENDED ISSUED FOR PRICING**
- BUL. #56 11/22/2013 BULLETIN #56 (WITH RESPECT TO AV, EA AND EAP DRAWINGS, INCLUDES "DELTA 1" CHANGES)**



AV364

KEY PLAN 1" = 50'

BID DOCUMENTS
TV STUDIO AV PATCHBAY
ELEVATIONS 1

Scale:

3 OCTOBER 2011

SUCF Project No. 29401
Humanities Building Renovation
SUNY Purchase College
735 Anderson Hill Road, Purchase, New York 10577

Kilment Halsband Architects
322 Eighth Avenue, New York, NY 10001

Robert Silman Associates, PC
88 University Place, New York, NY 10003

Lakhani & Jordan Engineers
315 Madison Avenue Suite 1001, New York, NY 10017

CHA
111 Winners Circle, Albany, NY 12205

Mathews Nielsen Landscape Architects, PC
120 Broadway Suite 1040, New York, NY 10271

Tillostson Design Associates
40 Worth Street Suite 1680, New York, NY 10013

Sustainable Performance Consulting, INC
Webster Woods #206 807 Ridge Road, Webster, NY 14580

TM Technology Partners, Inc.
250 West 39th Street 9th FL, New York, NY, 10018

Kirkegaard Associates
801 West Adams Street, Chicago, IL, 60607

Adelaide Environmental Health Associates, Inc.
1511 Route 22 Suite C24 Brewster, NY, 10509

Argus Architecture & Preservation, P.C.
297 River Street Suite 303, Troy, NY 12180