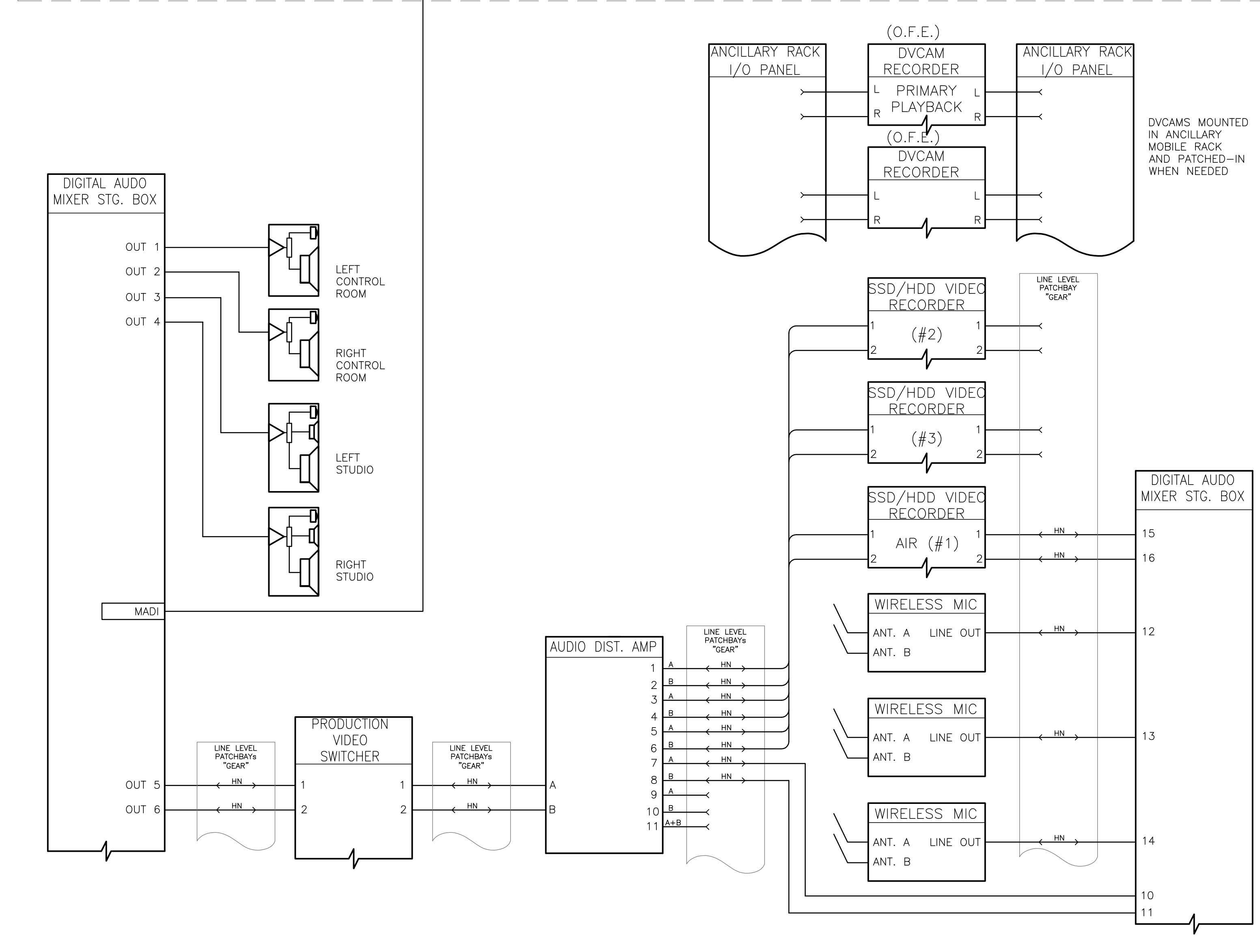
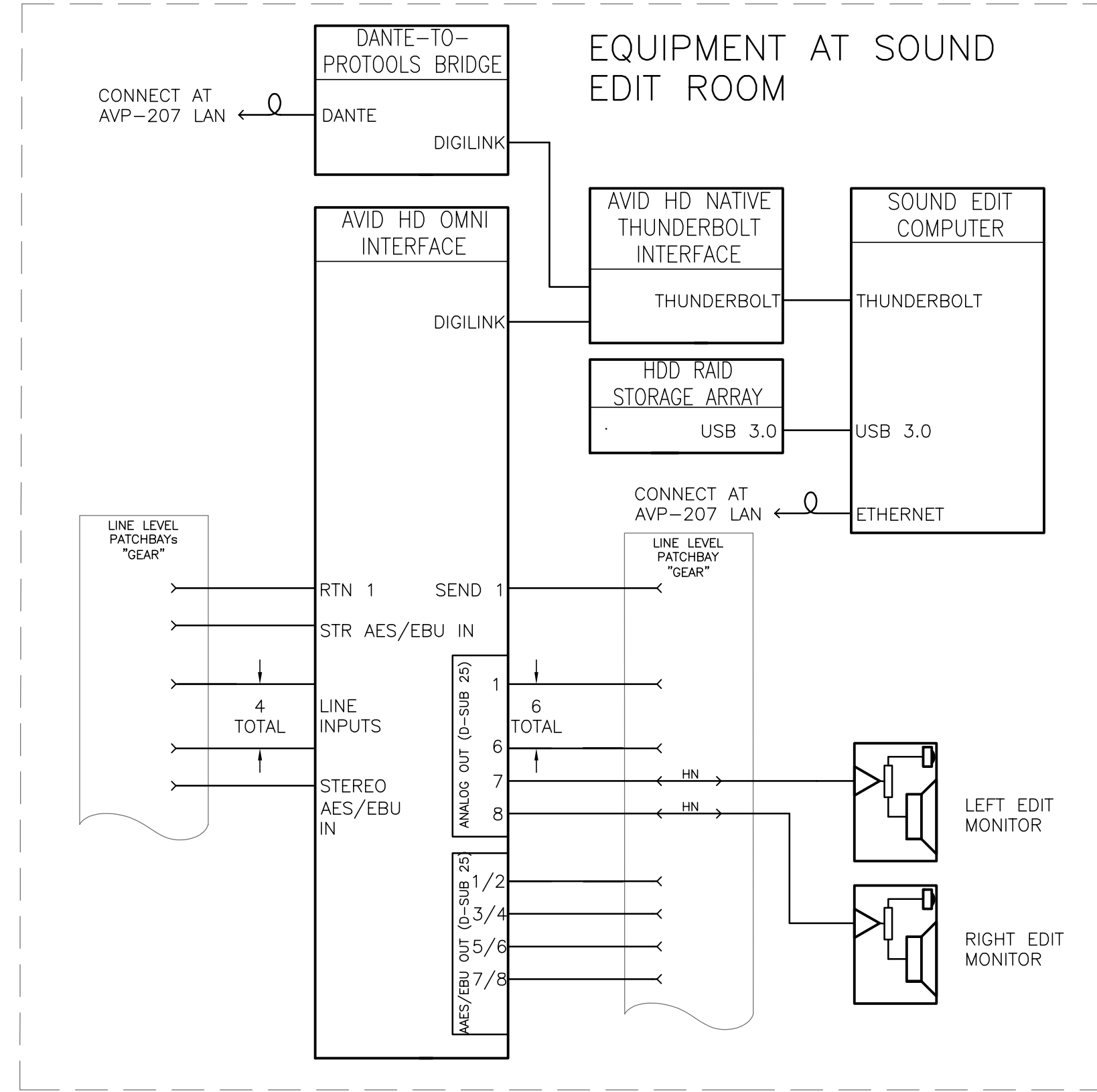
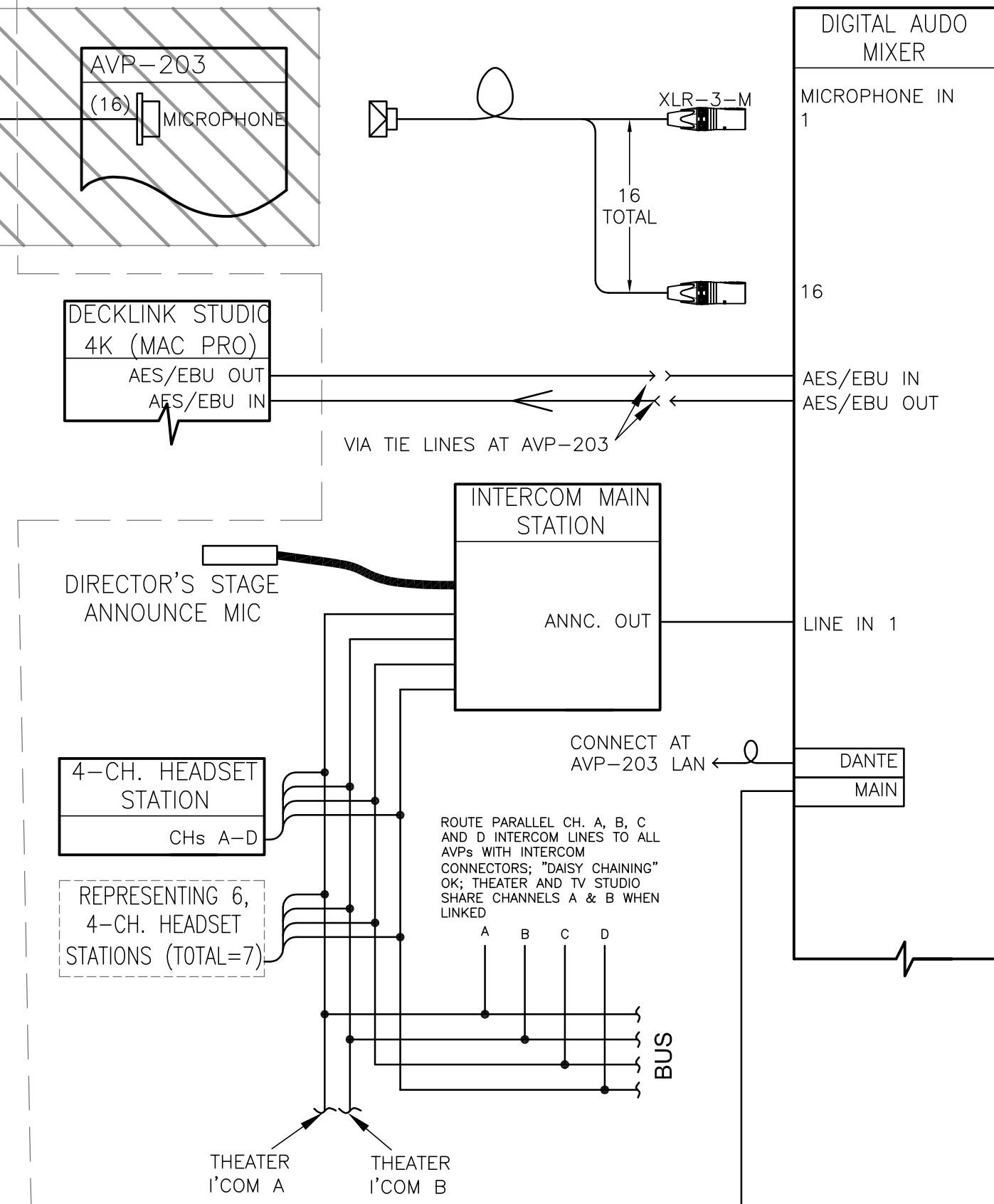
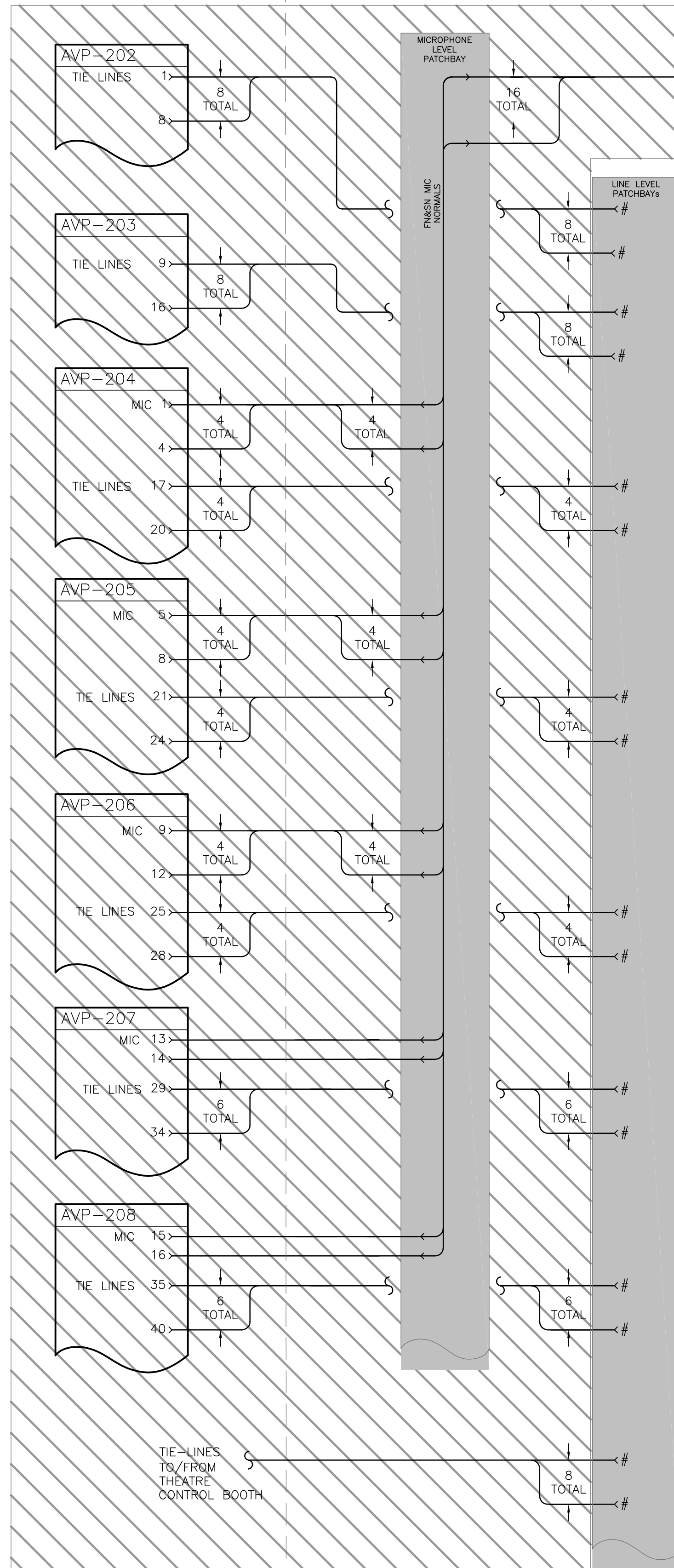


EQUIPMENT IN A/V RACK AT TV CONTROL ROOM

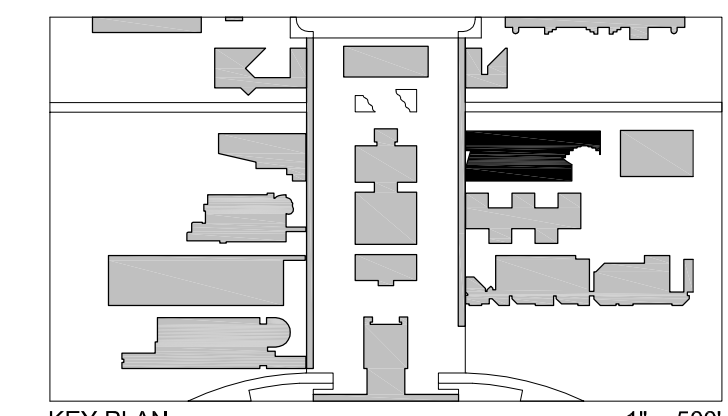


EQUIPMENT SHOWN WITH THIS BACKGROUND HATCH PATTERN IS PROVIDED PER BASE INFRASTRUCTURE CONTRACT (NOT INCLUDED IN GROUP III AV SYSTEMS OR EXTENDED AV INFRASTRUCTURE CONTRACT).

EQUIPMENT SHOWN WITH THIS BACKGROUND SHADING REPRESENTS "EXTENDED AV INFRASTRUCTURE" CHANGE REQUIREMENTS. AV INFRASTRUCTURE CONTRACTOR TO PROVIDE PATCHBAYS, AS INDICATED, AND TERMINATION OF FIELD CABLES TO SAID PATCHBAYS SUCH THAT SAID CABLES MAY BE TESTED ACCORDING TO AV AND TC REQUIREMENTS AFTER TERMINATION. "EXTENDED AV INFRASTRUCTURE" SHALL ALSO INCLUDE PROVISION AND INSTALLATION OF FIXED-IN-PLACE EQUIPMENT RACKS IN WHICH PATCHBAYS SHALL BE INSTALLED. AV FIELD CABLES NOT TERMINATING AT PATCHBAYS SHALL BE TESTED, UNTERMINATED, UNDER THE BASE AV INFRASTRUCTURE CONTRACT BY APPROPRIATE MEANS.

**GROUP III 9/22/2014 AV ELECTRONICS SYSTEMS ISSUED FOR BID**  
**BUL. #56 11/22/2013 BULLETIN #56 (WITH RESPECT TO AV, EA AND EAP DRAWINGS, INCLUDES "DELTA 1" CHANGES)**

**9/26/2013 AV SYSTEM CHANGES PER SUNY PURCHASE REQUIREMENTS AND DESIGN DEVELOPMENT; NOTE: NO DELTA 1 CHANGES, THIS SHEET**



**AV221 TV STUDIO, CONTROL ROOM AND AUDIO SUITE - AUDIO SYSTEMS**

- 3 OCT 2014 SCALE
- SUCF Project No. 29401**  
**Humanities Building Renovation**  
**SUNY Purchase College**  
 735 Anderson Hill Road, Purchase, New York 10577
- Kilment Halsband Architects**  
 322 Eighth Avenue, New York, NY 10001
- Robert Silman Associates, PC**  
 88 University Place, New York, NY 10003
- Lakhani & Jordan Engineers**  
 315 Madison Avenue Suite 1001, New York, NY 10017
- CHA**  
 111 Winners Circle, Albany, NY 12205
- Mathews Nielsen Landscape Architects, PC**  
 120 Broadway Suite 1040, New York, NY 10271
- Tilston Design Associates**  
 40 North Street Suite 1060, New York, NY 10013
- Sustainable Performance Consulting, INC**  
 Webster Woods #206 807 Ridge Road, Webster, NY 14580
- TM Technology Partners, Inc.**  
 250 West 39th Street 9th FL, New York, NY 10018
- Kirkegaard Associates**  
 801 West Adams Street, Chicago, IL 60607
- Adelaide Environmental Health Associates, Inc.**  
 1511 Route 22 Suite C24 Brewster, NY, 10509
- Argus Architecture & Preservation, P.C.**  
 297 River Street Suite 303, Troy, NY 12180