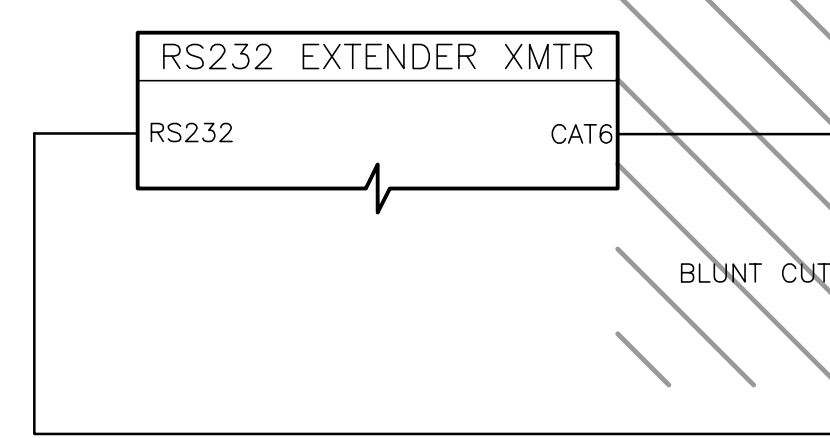


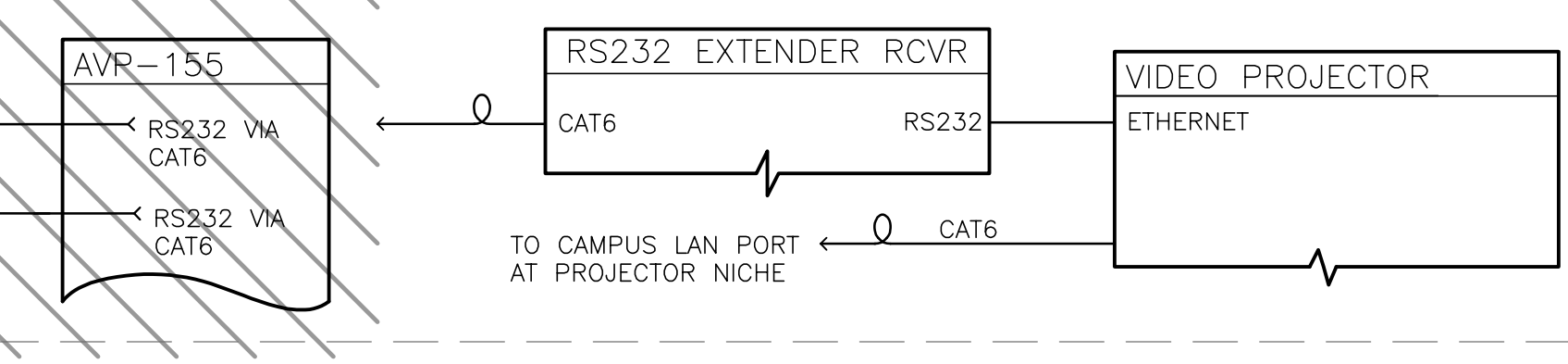
CAMPUS LAN CABLE INSTALL AND TERMINATION RESPONSIBILITIES NOTES:
(SEE EA202)

- ALL CAMPUS LAN CABLES SHALL BE FURNISHED, INSTALLED, TERMINATED AND TESTED BY TELECOMMUNICATIONS CONTRACTOR ("TC") ACCORDING TO THE REQUIREMENTS IN SPECIFICATION SECTION 27 00 01. LAN CABLES ARE SHOWN HEREIN TO INDICATE ULTIMATE TERMINATION LOCATIONS WITHIN THE AV SYSTEM. TERMINATIONS AT EQUIPMENT RACKS BY FUTURE WORK ORDER.
- CAMPUS LAN LINES SHALL BE ROUTED TO AV RACKS AND SELECTED AV PANELS VIA LAN-DEDICATED CONDUIT AT THE STAGE AND THE RACK.
- AV INFRASTRUCTURE CONTRACTOR SHALL:
 - FURNISH NEUTRIK ETHERCON CAT6 CONNECTORS FOR INSTALLATION AT AVPs ACCORDING TO THE DRAWINGS.
 - MOUNT CHASSIS OF THESE CONNECTORS TO AVPs
 - SUPPLY THE INSERT PARTS TO "TC" FOR TERMINATION AND INSTALLATION INTO THE CHASSIS.
 - COORDINATE SHARED AVP RESPONSIBILITIES WITH "TC".

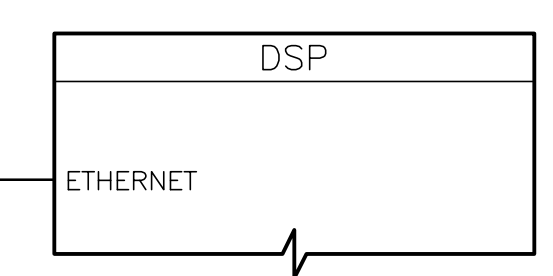
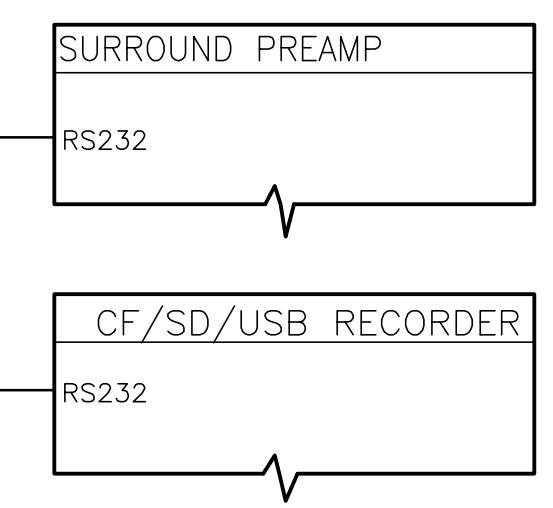
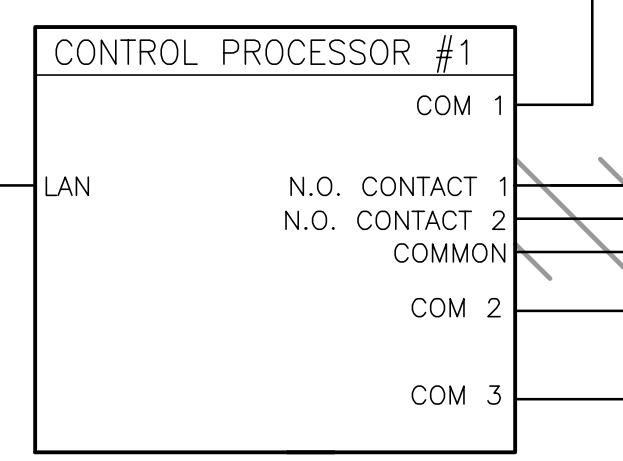
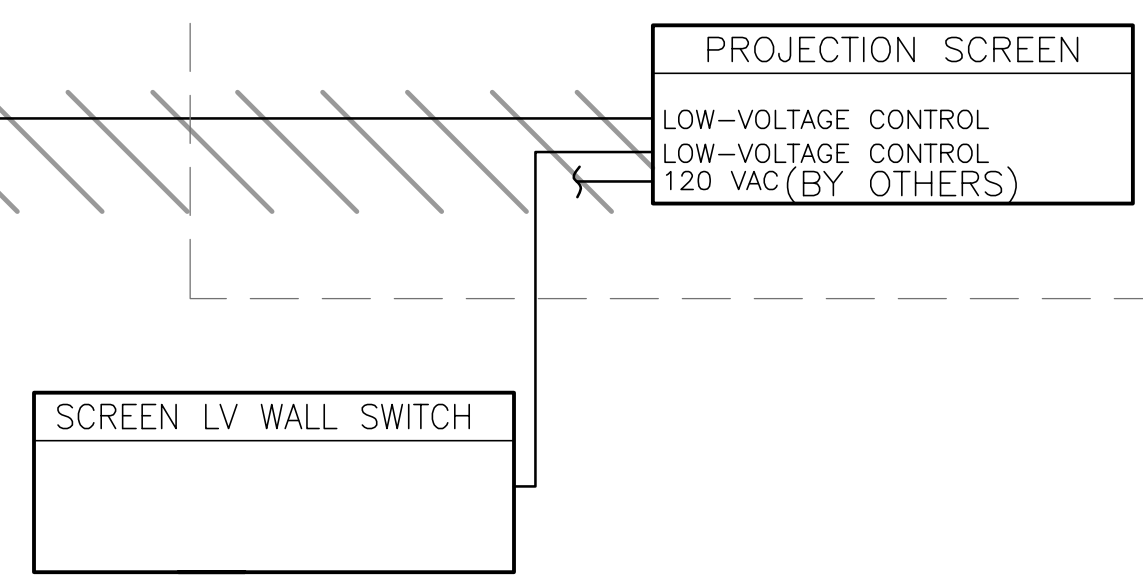
EQUIPMENT IN A/V RACK



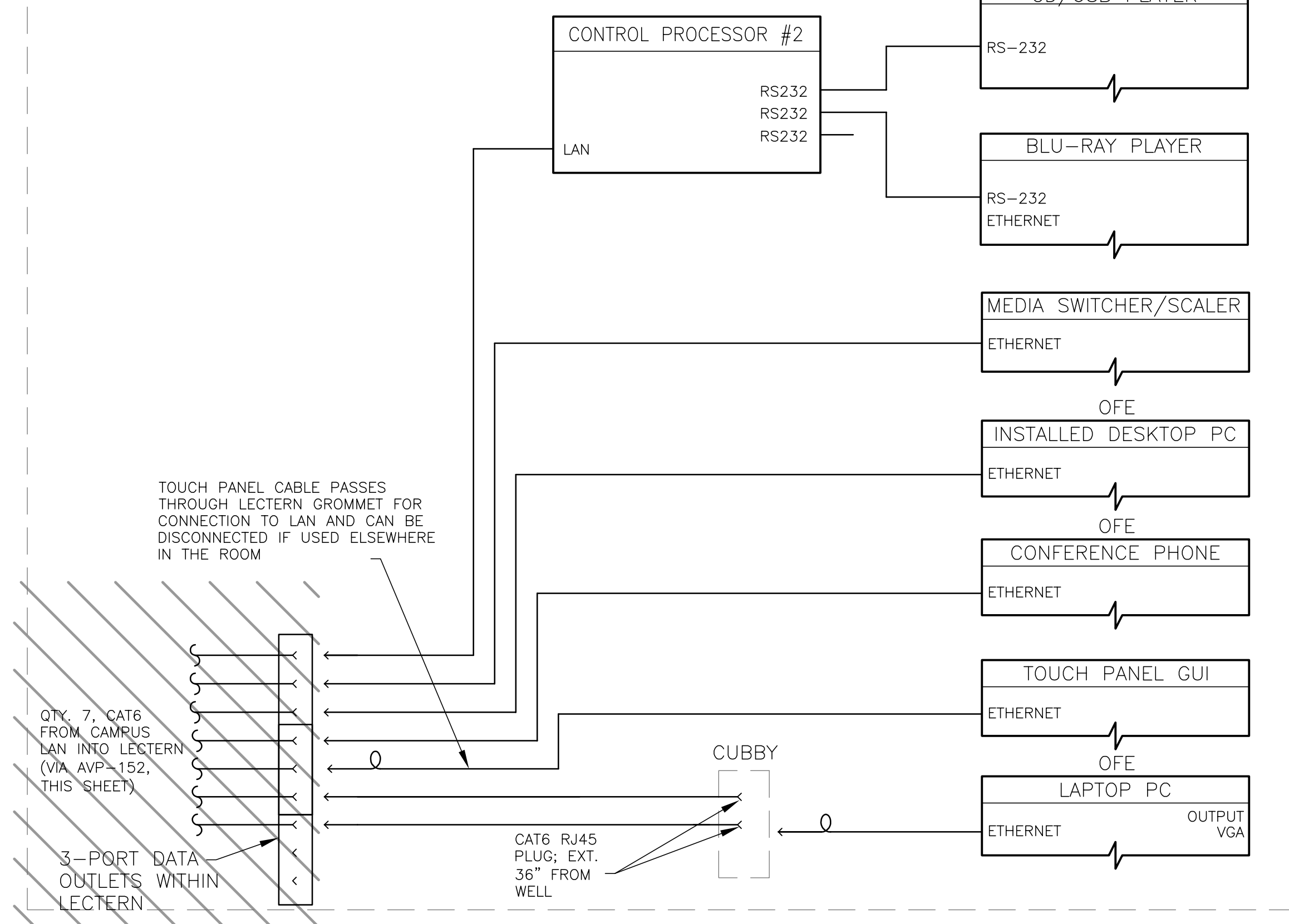
EQUIPMENT AT VIDEO PROJECTOR



EQUIPMENT AT PROJECTION SCREEN



EQUIPMENT IN/AT LECTERN



EQUIPMENT SHOWN WITH THIS BACKGROUND HATCH PATTERN IS PROVIDED PER BASE INFRASTRUCTURE CONTRACT (NOT INCLUDED IN GROUP III AV SYSTEMS OR EXTENDED AV INFRASTRUCTURE CONTRACT).

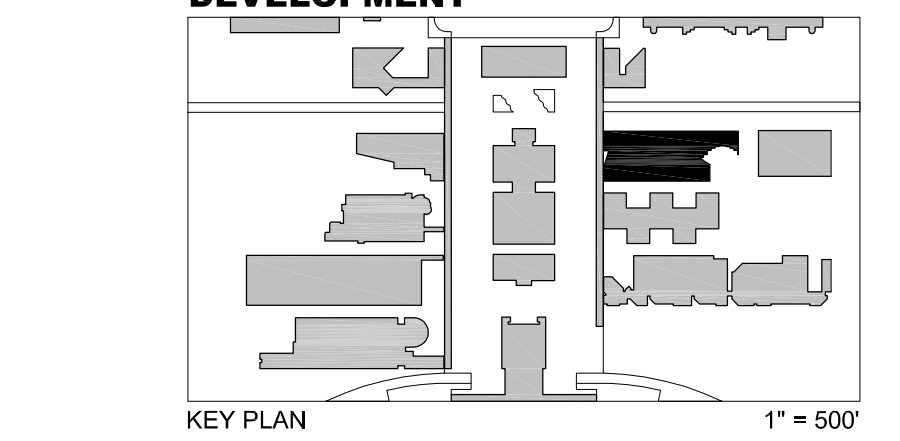
EQUIPMENT SHOWN WITH THIS BACKGROUND SHADING REPRESENTS "EXTENDED AV INFRASTRUCTURE" CHANGE REQUIREMENTS. AV INFRASTRUCTURE CONTRACTOR TO PROVIDE PATCHBAYS, AS INDICATED, AND TERMINATION OF FIELD CABLES TO SAID PATCHBAYS SUCH THAT SAID CABLES MAY BE TESTED ACCORDING TO AV AND TC REQUIREMENTS AFTER TERMINATION. "EXTENDED AV INFRASTRUCTURE" SHALL ALSO INCLUDE PROVISION AND INSTALLATION OF FIXED-IN-PLACE EQUIPMENT RACKS IN WHICH PATCHBAYS SHALL BE INSTALLED. AV FIELD CABLES NOT TERMINATING AT PATCHBAYS SHALL BE TESTED, UNTERMINATED, UNDER THE BASE AV INFRASTRUCTURE CONTRACT BY APPROPRIATE MEANS.

GROUP III 9/22/2014 AV ELECTRONICS SYSTEMS ISSUED FOR BID

BUL. #56 11/22/2013 BULLETIN #56 (WITH RESPECT TO AV, EA AND EAP DRAWINGS, INCLUDES "DELTA 1" CHANGES)

2 1/40/2014 AV CONDUIT AND POWER CHANGES PER SUNY PURCHASE REQUIREMENTS; INCLUDE WITH BUL. 56

1 11/1/2013 AV SYSTEM CHANGES PER SUNY PURCHASE REQUIREMENTS AND DESIGN DEVELOPMENT



AV213 LECTURE HALL CONTROL AND DATA SYSTEMS

- Scale: NOT TO SCALE
- 3 OCTOBER 2011
- SUCF Project No. 29401 Humanities Building Renovation SUNY Purchase College**
735 Anderson Hill Road, Purchase, New York 10577
- Kliment Halsband Architects**
322 Eighth Avenue, New York, NY 10001
- Robert Silman Associates, PC**
88 University Place, New York, NY 10003
- Lakhani & Jordan Engineers**
315 Madison Avenue Suite 1001, New York, NY 10017
- CHA**
111 Winners Circle, Albany, NY 12205
- Mathews Nielsen Landscape Architects, PC**
120 Broadway Suite 1040, New York, NY 10271
- Tilloston Design Associates**
40 North Street Suite 1680, New York, NY 10013
- Sustainable Performance Consulting, INC**
Webster Woods 808 807 Ridge Road, Webster, NY 14580
- TM Technology Partners, Inc.**
250 West 39th Street 9th FL, New York, NY, 10018
- Kirkegaard Associates**
801 West Adams Street, Chicago, IL, 60607
- Adelaide Environmental Health Associates, Inc.**
1511 Route 22 Suite 1024 Brewster, NY, 10509
- Argus Architecture & Preservation, P.C.**
297 River Street Suite 303, Troy, NY 12180