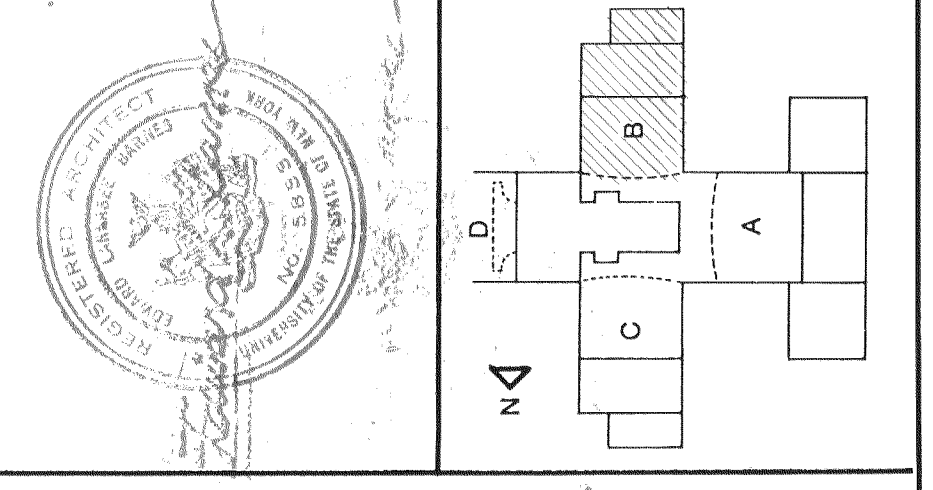
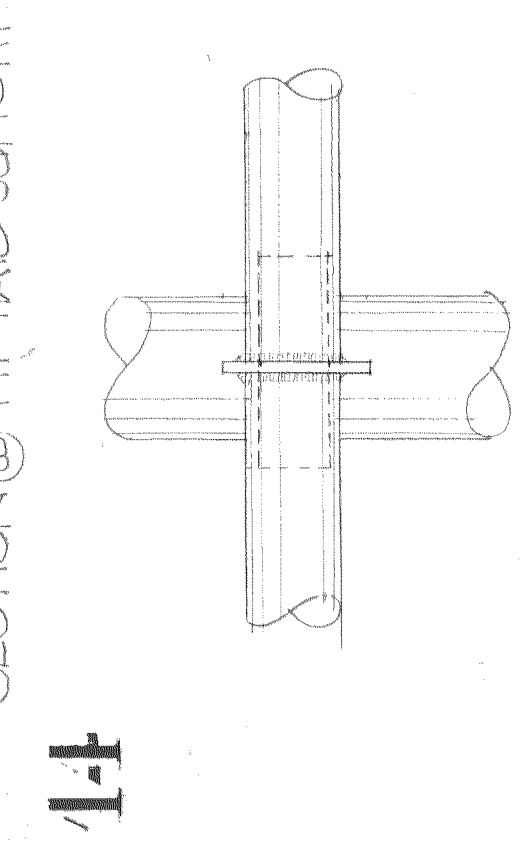


STATE UNIVERSITY OF NEW YORK COLLEGE AT PURCHASE
 STATE UNIVERSITY CONSTRUCTION FUND
 PROJECT NUMBER 2820
PERFORMING ARTS CENTER
 ARCHITECT: EDWARD LARRABEE BARNES PALA
 CONSULTING ENGINEERS: PETER G. ROLLAND, WESKOFF AND PICKFORTH, SEGER AND DALTON
 RECORDING CONTRACTORS: BOLE, BERANEK AND NEWMAN

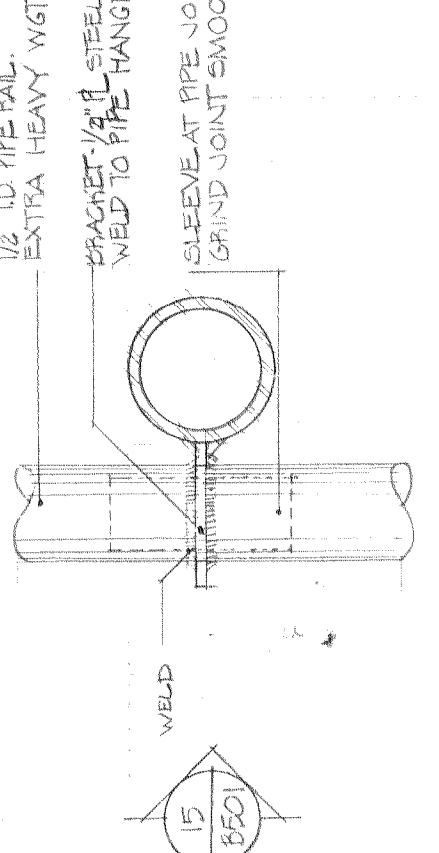


PAC B501
 DATE: 10 MAY 1972
 DRAWN: [Signature]

CONFORMED DWG.
 ELEVATION @ TYP. RAIL SUPPORT
15

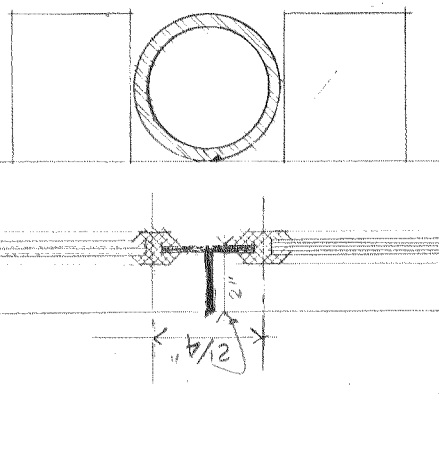


13 PLAN @ TYP. RAIL SUPPORT.

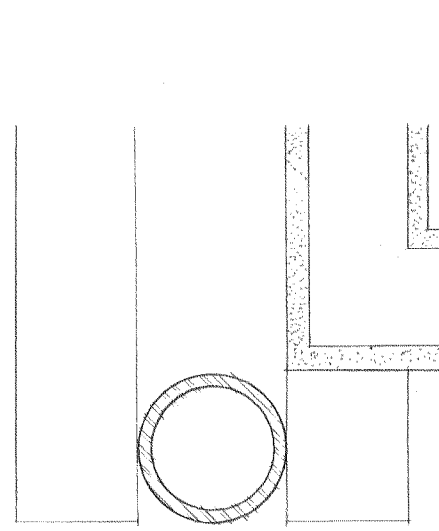


16

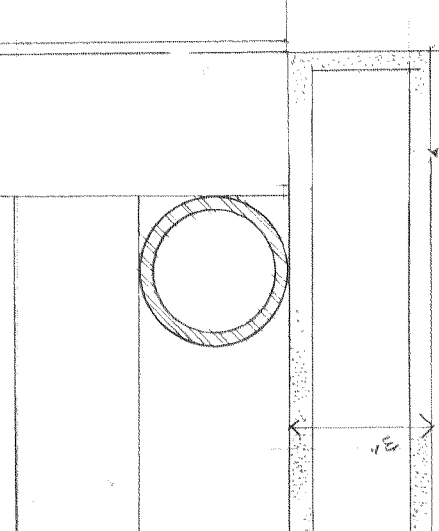
5



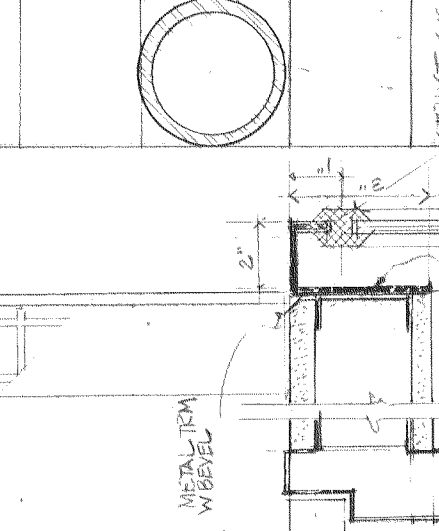
4



3



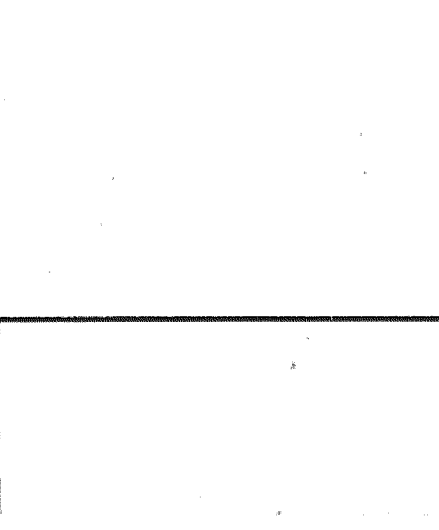
2



1



17



10

9

18

11

12

19

14

13

16

20

21

22

23

24

25

26

27

28

29

30

31

32

33

34

35

36

37

38

39

40

41

42

43

44

45

46

47

48

49

50

51

52

53

54

55

56

57

58

59

60

61

62

63

64

65

66

67

68

69

70

71

72

73

74

75

76

77

78

79

