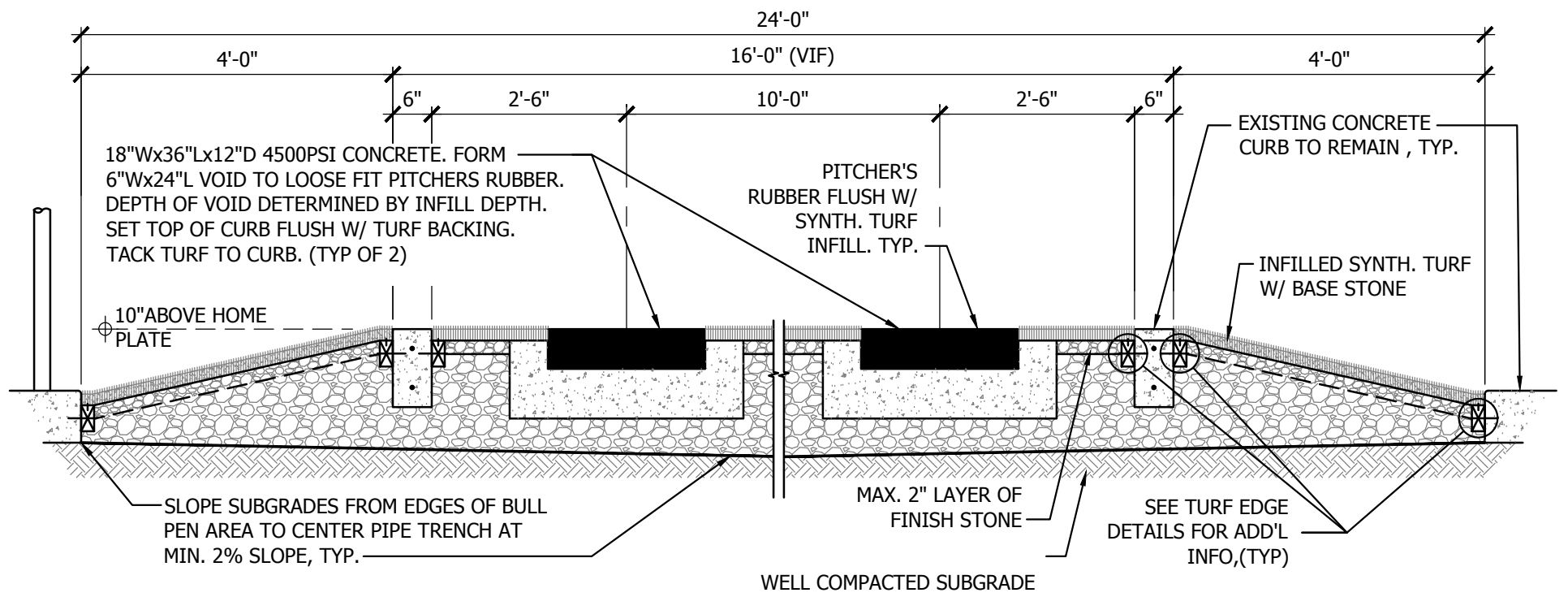


**SECTION B-B'**



**SECTION A-A'**

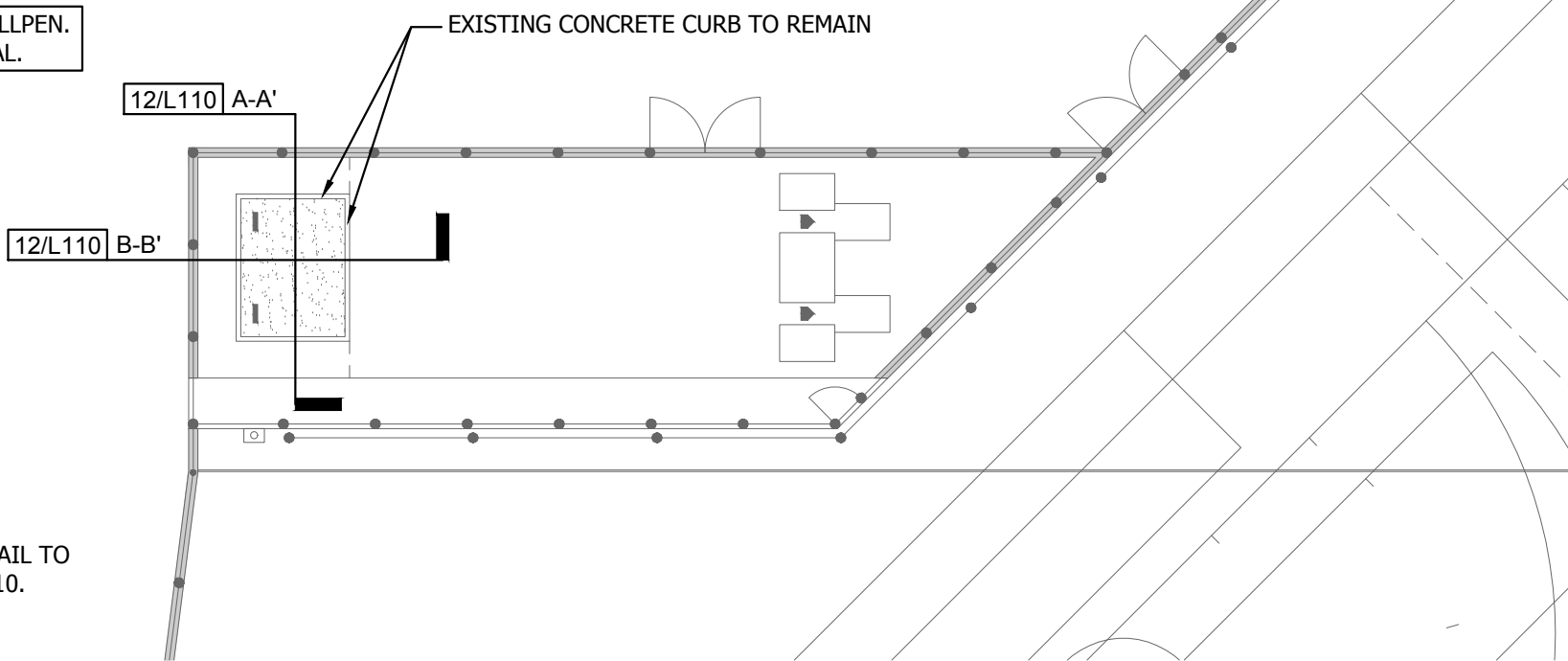
**12 BULL PEN PITCHER'S MOUND SECTIONS**

12

REPLACE DETAIL 12/L110 WITH THIS DETAIL

Scale: 1/2"=1'-0"

NOTE: TYPICAL AT EACH BULLPEN. TWO BULLPENS TOTAL.



ADD THIS PLAN DETAIL TO DRAWING SHEET L110.

**14 BULLPEN ENLARGEMENT PLAN**

14

Scale:

Client name:  
**State University of New York  
 PURCHASE COLLEGE  
 Purchase, NY**

Drawing title:  
**Baseball Field Bullpen -  
 Detail Revisions**

Drawn by:  
 JFK

Date:  
 2/12/2019

Project title:  
**Purchase College Athletic Field  
 Complex - Synthetic Turf Repl.**

Landscape Architect:  
**The LA GROUP**  
 Landscape Architecture & Engineering P.C.  
 Suffolk, Virginia, USA  
 330 East State Street  
 2nd Floor  
 Rhine, NY 14890  
 P: 807-277-6000  
 F: 807-277-4004  
 www.thelagroup.com

Project #  
**SU-111618**

Sheet #  
**SK-L110**